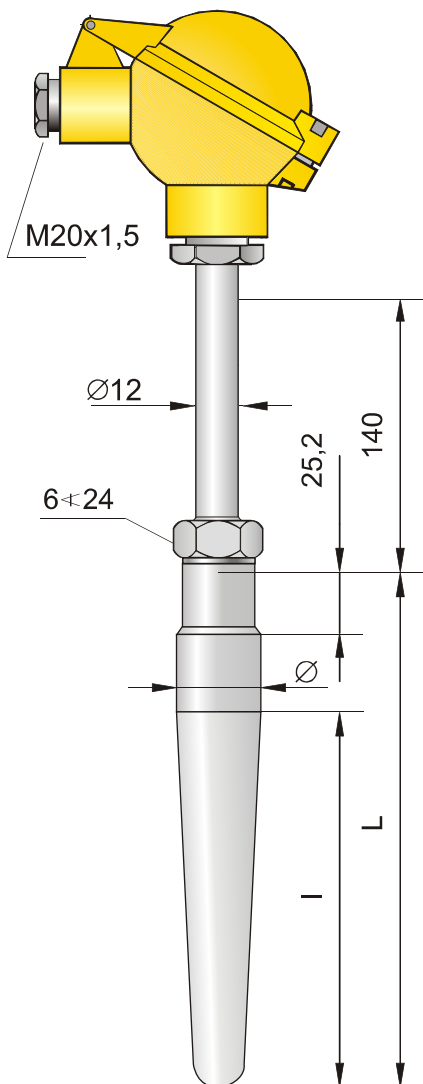


Temperature sensor type CT SW1, CT SW2



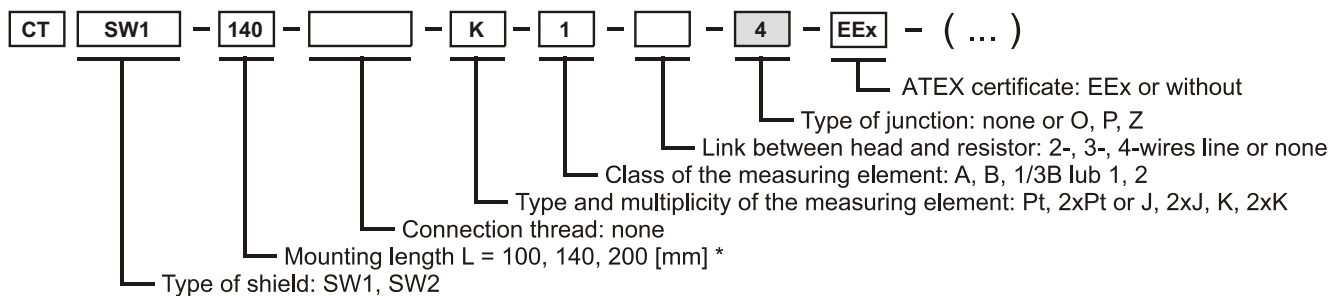
TECHNICAL DATA:

1. Measuring range:
Pt: 0 ... 570 [°C]
J/K: 0 ... 570 [°C]
2. Admissible load:
see **Graph 3** (page 126)
3. Material of wetted parts:
15HM, inconel, hastelloy
4. Standard immersion length L:
100, 140, 200 [mm] (*)
5. Fastening (welding) diameter:

CT SW1	CT SW2
Ø=18h7	Ø=24h7

Type of sensor	Shield			Measuring insert Ø [mm]
	Ø [mm]	L [mm]	l [mm]	
CT SW1	18h7	100	35	3
		140	65	3
		200	65	3
CT SW2	24h7	140	65	6
		140	65	6
		200	65	6

Ordering procedure:



ADDITIONAL INFORMATION:

- 1.* Non-standard length of temperature sensors on demand.
2. Type of exchangeable insert: W2.
3. Please indicate the type of material to be used for the shield of sensor between brackets. Standard execution of material 10 H2M.
4. To specify temperature sensor with the head - mounted transmitter please add code of transmitter at the end of ordering code of sensor (see chapter X) e.g.

CT SW1 - 140 - - K - 1 - - 4 - EEx - (X/100+150; 15HM)